

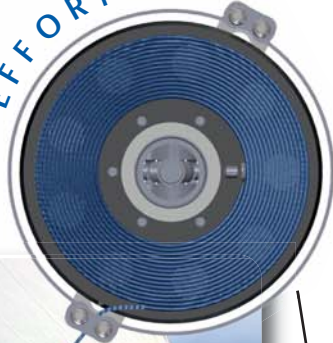
FlatDeck

The first webbing furling systems

Design by Facnor

FlatDeck is the first furling system fitted with a webbing. This great Facnor innovation offers safe and easy headsail furling: no reefing line overriding and an important torque. Overall, with the FD low profil drum, you benefit from a maximum luff !

EFFORTLESS



>> NO OVERLAPPING FURLING LINE



WEBBING

>> WEBBING TO FURLING LINE SWIVEL



SPECIALY DESIGNED STANCHION BLOCKS



Special blocks fitted with adapted sheave for webbing and rope.

SAFETY

No risk of overriding : The webbing is guided evenly and smoothly onto the drum. This eliminates overrides as the webbing lays flat inside the drum.



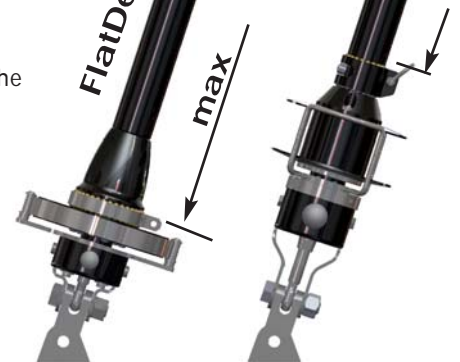
INNOVATION

This new webbing concept illustrates our commitment to innovation and design in the furling system manufacturing. All the kit elements have been carefully designed for easy and simple use featuring; new webbing to furling line swivel, adapted stanchion blocks, large diameter drum and torlon ball bearings.



PERFORMANCE

Maximised luff thanks to the low profile drum and the Genoa tack and foot lay close to the deck. The Flat Deck offers 20 cm of additional luff length compared to an equivalent classic drum style furler.



FlatDeck

The first webbing furling systems

www.facnor.com

facnor®
FURLING SYSTEMS

